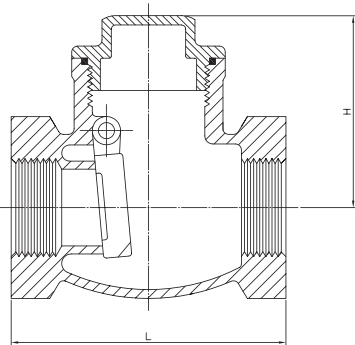




PROMET VALVES AUSTRALIA

1A Green Road Woodville West SA 5011
 www.prometvalves.com promet@prometvalves.com
 T: 08 8268 1777 ABN 47096 425 697 F: 08 8268 1711

Brass Swing Check Valve



Materials	
PART	MATERIAL
Body	Brass
Bonnet	Brass
Hinge Pin- Nut	Brass

Specifications	
Thread	AS 1722.1
Cold Working Pressure	1380kPa
MAX Working Temperature	200°C

Applications- Oil, Water

Brass Swing Check Valve				
CODE	IMPERIAL SIZE	H	L	APPROX. KG/PC
VBCS15	1/2	50	52	0.18
VBCS20	3/4	55	60	0.26
VBCS25	1	58	74	0.39
VBCS32	1 1/4	80	82	0.59
VBCS40	1 1/2	87	95	0.91
VBCS50	2	105	118	1.22
VBCS65	2 1/2	128	140	2.21
VBCS80	3	150	150	3.59
VBCS94	4	185	175	5.29